

HC201 Chemical Dosing pump



- Programmable microprocessor with several control options
- Electronic frequency control
- Multifunction dosing modes
- Manual stroke length adjustment
- LCD display
- Digital keypad control
- Power supply: 240Vac 50/60Hz (110Vac also available)
- IP65 protection
- Stop/start button
- Manual air bleed valve for quick priming
- Low level facility
- Horizontal mounting (Bracket available for wall mounting)
- Complete installation kit – Foot filter, injection fitting, dosing tube

HC201 is a multifunctional electronic solenoid driven dosing pump that has several electronic options and incorporates a mechanical stroke length adjustment feature as well as electronic frequency control.

Constant mode: enables you to select the exact number of strokes, between 1-120 strokes per minute, per hour or per day.

Pulse Mode: proportional modes available under water meter reed impulses, 1xN pulse multiplication, 1xN (M) with pulse time management N:1 water meter pulse division.

mA mode: The pump will pump in response to an external 4-20 milliamp signal. There are also 2 set points for creating your own dosing bandwidth.

Timer mode: Controlled via 24Hr 7 day timer with 8 On/Off functions





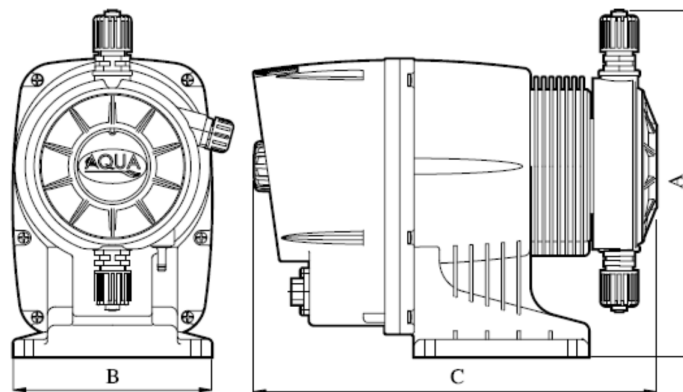
Technical Characteristics

Order Code	Model	Flow rate Ltr/Hr	Press Bar	Stroke Volume ml	Strokes	Consumption Watt	Hose
AD2400218	HC201 02-18	2	18	0.27	120	36	4x6
AD2400418	HC201 04-18	4	18	0.55	120	36	4x6
AD2400909	HC201 09-09	9	9	1.25	120	36	4x6
AD2401503	HC201 15-03	15	3	2.08	120	36	4x6

Liquid End Materials

HC201	Standard version	Upon Request
Pump Head	Polypropylene	PVDF/PVC Auto vent head
Diaphragm	PTFE	-
Balls	Pyrex	PTFE-Ceramic
Valve Body	Polypropylene	PVDF
O-Rings	Viton	EPDM
Injection fitting	Polypropylene	PVDF
Foot valve strainer	Polypropylene	PVDF

Dimensions



Dimensions (mm) A x B x C (218x125x254)



Note: for horizontal mounting version which requires a bracket, add the code: ADSTF200

