

## HC301 Chemical Dosing pump



- Electronic frequency control
- Programmable microprocessor with several control options
- PTFE diaphragm
- Multifunction dosing modes
- LCD display
- Digital keypad control
- Power supply: 240Vac 50/60Hz
- IP65 protection
- Stop/start button
- Manual air bleed valve for quick priming (certain models only)
- Horizontal mounting (Bracket available for tank mounting)
- Complete installation kit – Foot filter, injection fitting, dosing tube

HC301 is a multifunctional electronic solenoid driven dosing pump that has several electronic options and incorporates electronic frequency control.

**Constant mode:** enables you to select the exact number of strokes, between 1-120 strokes per minute, per hour or per day.

**Pulse Mode:** proportional modes available under water meter reed impulses, 1xN pulse multiplication, 1xN (M) with pulse time management N:1 water meter pulse division.

**mA mode:** The pump will pump in response to an external 4-20 milliamp signal. There are also 2 set points for creating your own dosing bandwidth.

**Timer mode:** Controlled via 24Hr 7 day timer with 8 On/Off functions



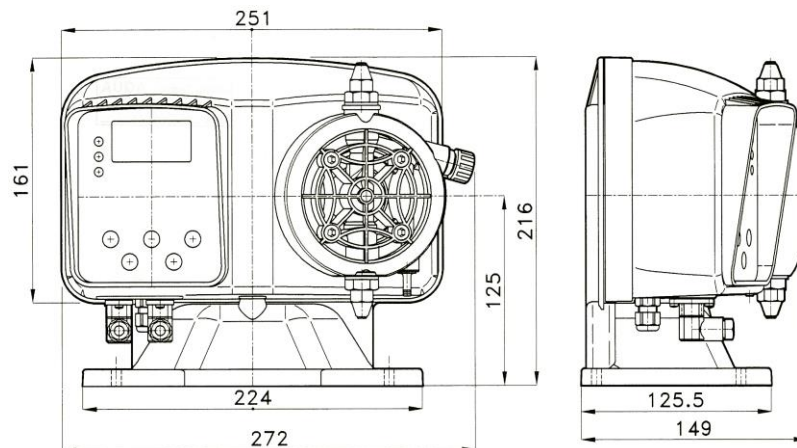
## Technical Characteristics

Order Code	Model	Flow rate Ltr/Hr	Press Bar	Stroke Volume ml	Strokes	Consumption Watt	Hose
AD3101804	HC301 18-04	18	4	2.50	120	40	4x6
AD3103002	HC301 30-02	30	2	0.55	120	40	10x14
AD3105001	HC301 50-0.5	50	0,5	1.25	120	40	10x14

## Liquid End Materials

HC301	Standard version	Upon Request
Pump Head	Polypropylene/PVC	-
Diaphragm	PTFE	-
Balls	Pyrex/Viton-Lip	PTFE-Ceramic/EPDM-Lip
Valve Body	Polypropylene	-
O-Rings	Viton	EPDM
Injection fitting	Polypropylene	-
Foot valve strainer	Polypropylene	-

## Dimensions



Note: for horizontal tank mounting version which requires a bracket, add the code: ADBAS300