

HC200 PH/RX Chemical Dosing



- Built in selectable pH or Redox instrument
- Proportional control from electrode
- Electronic frequency control
- Manual stroke length adjustment
- LCD display
- Digital push button control
- Power supply: 240Vac 50/60Hz
- IP65 protection
- Manual air bleed valve for quick priming
- Level probe input
- Horizontal mounting (Bracket available for wall mounting)
- Complete installation kit – Foot filter, injection fitting, dosing tube

HC200 PH/RX electronic solenoid driven dosing pump has an integral pH/Rx controller with a single control set point which monitors the pH or redox level of water. Its main purpose is to operate the pump if the chemical reading goes above or below the set point. This set point can be adjusted and features a digital display of the value at all times. A connection to the electrode is made via BNC connector. The pump incorporates a mechanical stroke length adjustment feature enabling precise dosing control.

Digital Control: The pump can operate above or below a pH or Redox set point as on/off or in proportional mode, and has a 0-100% frequency control.

Stroke length adjustment: A further adjustment is available by means of a manual stroke length control knob 0-100%.



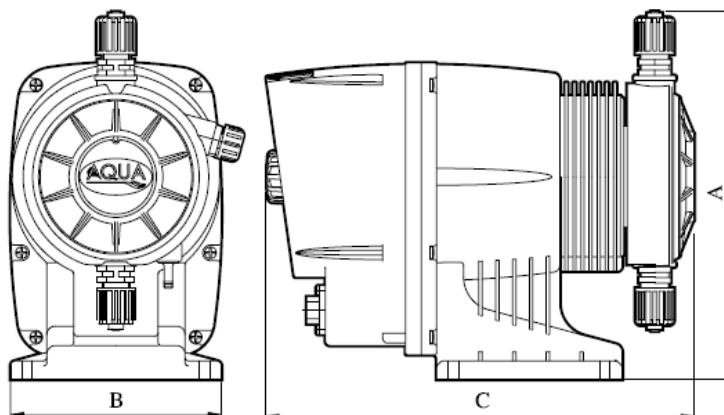
Technical Characteristics

Order Code	Model	Flow rate		Stroke Volume ml	Strokes	Consumption Watt	Hose
		Ltr/Hr	Bar				
AD2300218	HC200PH/RX 02-18	2	18	0.27	120	34	4x6
AD2300418	HC200PH/RX 04-18	4	18	0.55	120	34	4x6
AD2300909	HC200PH/RX 09-09	9	9	1.25	120	34	4x6
AD2301503	HC200PH/RX 15-03	15	3	2.08	120	34	4x6

Liquid End Materials

HC200 PH/RX	Standard version	Upon Request
Pump Head	Polypropylene	PVDF/PVC Auto vent head
Diaphragm	PTFE	-
Balls	Pyrex	PTFE-Ceramic
Valve Body	Polypropylene	PVDF
O-Rings	Viton	EPDM
Injection fitting	Polypropylene	PVDF
Foot valve strainer	Polypropylene	PVDF

Dimensions



Dimensions (mm) A x B x C (218x125x254)

DIMENSIONI (mm) AxBxC
DIMENSIONS (mm) AxBxC

218 x 125 x 254



Note: for horizontal mounting version which requires a bracket, add the code: ADSTF200

